

Wall & Floor Specification

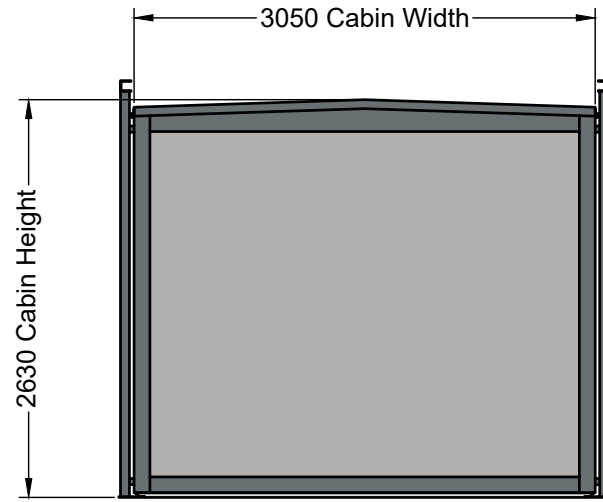
External Wall Cladding:

Dobel 200XT PLASTISOL. Main Body: Goosewing Grey BS 00-A-05.
Trim and Jack Legs: Merlin Grey BS 18-B-25

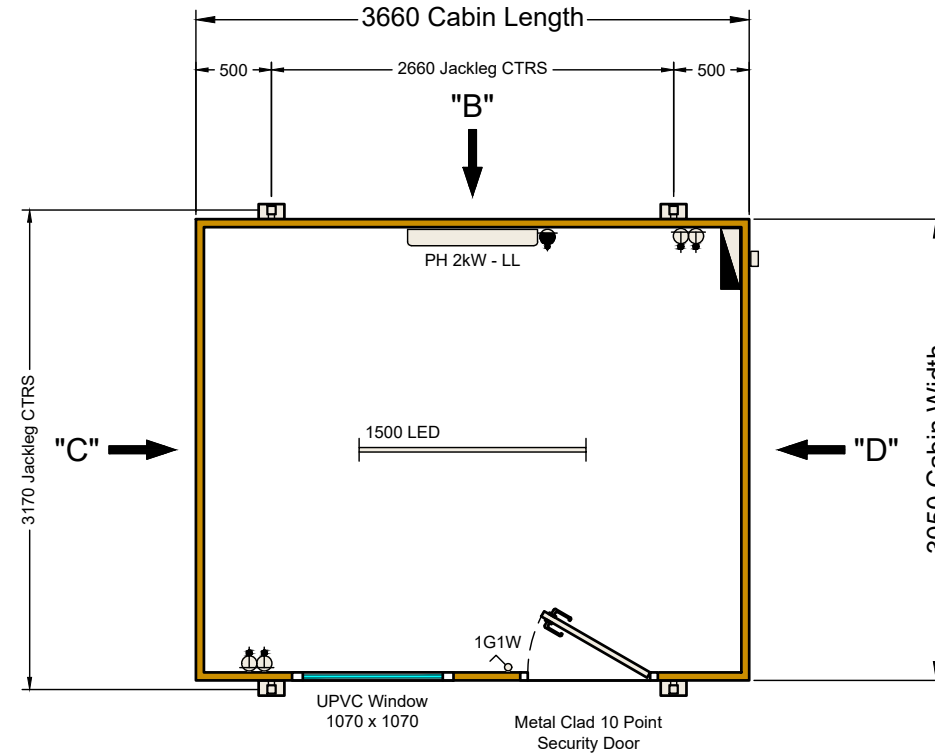
Floor Finish:

18mm OSB3 board with Vinyl 2mm Cushion Grey Wood Plank Effect

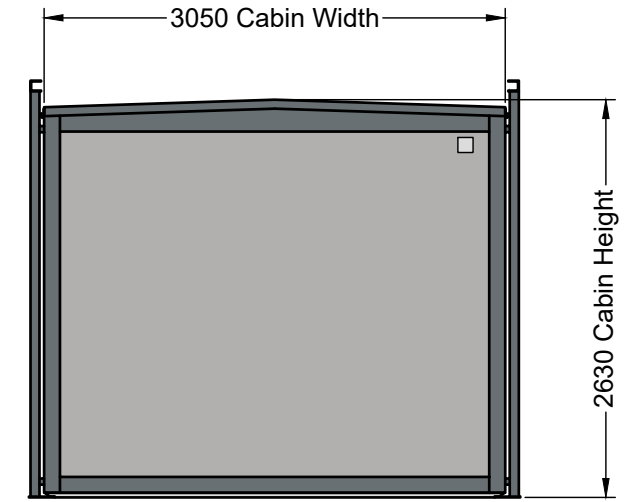
SIDE ELEVATION "C"



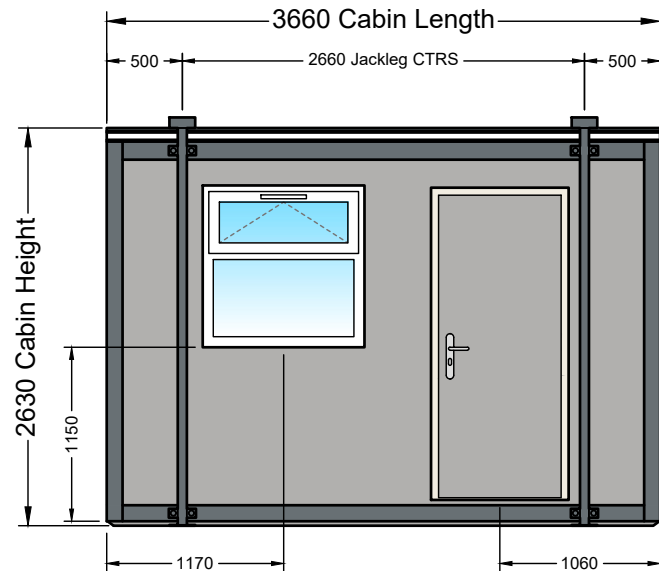
SECTIONAL PLAN



SIDE ELEVATION "D"

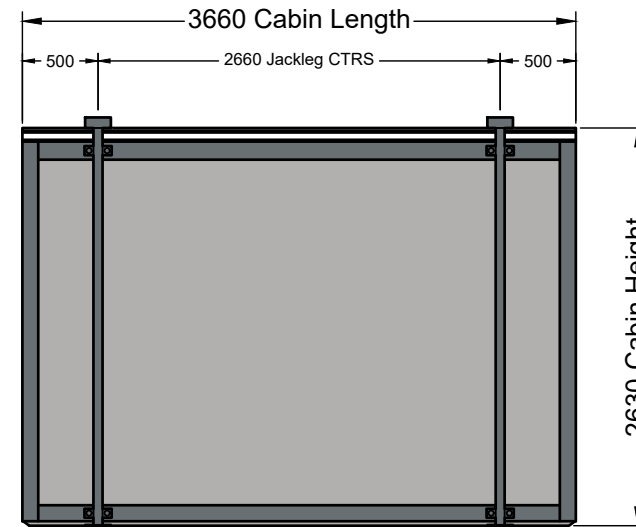


SIDE ELEVATION "A"



"A"

SIDE ELEVATION "B"



portablespace[®]
cabin & container hire | sales | conversions | modular

Address: Portable Space Ltd.
Modular House, Bacton Business Park,
Bacton, Suffolk, IP14 4LE
TEL. 01449 782 123

Copyright in this drawing belongs to Portable Space Ltd. Neither the whole drawing nor any part thereof may be reproduced without the prior written permission of Portable Space Ltd.

- Distribution Board
- Panel Heater
- Tubular Heater
- High Level Fan Heater
- 13A Double Socket in Trunking
- 13A Double Socket HL
- 13 A Double Socket LL
- Fused Spur
- RJ45 Data Socket

- Wall Light Switch
- Pull Light Switch
- Tubular Light Fitting
- Bulkhead Light
- EB Emergency Backup (Light Fitting)
- Motion Sensor
- Motion Sensor Override Switch
- EXIT Emergency Exit Light

- Water Heater - Under/Over Sink
- Shower Heater
- Extraction Fan
- Thermostat
- Frost Stat
- Integrated Container Vent
- ES 12mm Earthing Stud

Additional Details:

**

Client

QF-702
12' x 10' Jack Leg Office Cabin

Drawn by:

PMW

Date:

15-02-2024

Scale:

1:50@A3

Rev:

A

Container Type:

12' x 10' Jack Leg cabin