

Wall & Floor Specification

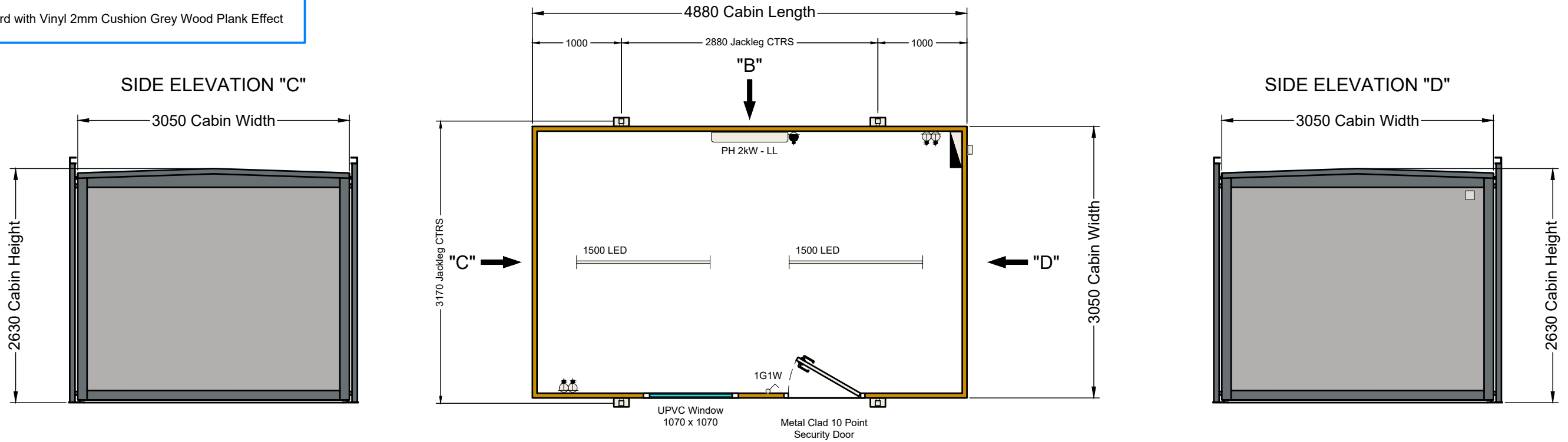
External Wall Cladding:

Dobel 200XT PLASTISOL. Main Body: Goosewing Grey BS 00-A-05.
Trim and Jack Legs: Merlin Grey BS 18-B-25

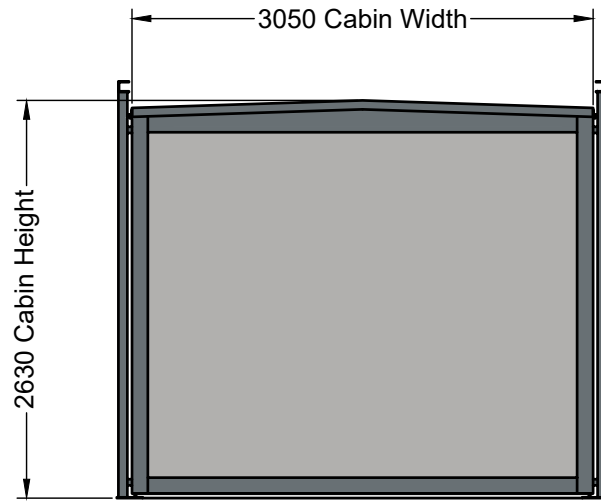
Floor Finish:

18mm OSB3 board with Vinyl 2mm Cushion Grey Wood Plank Effect

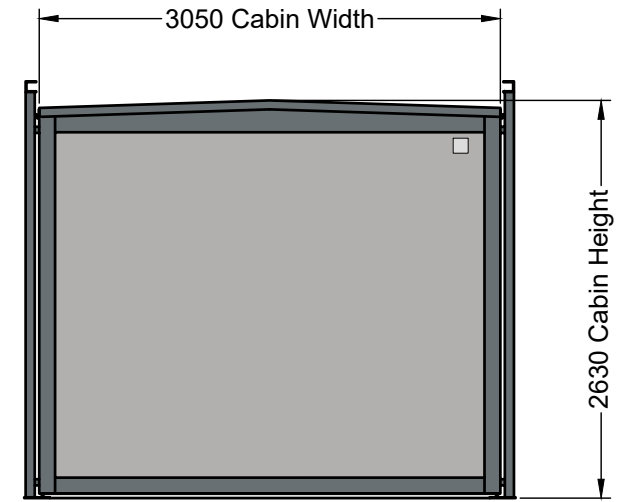
SECTIONAL PLAN



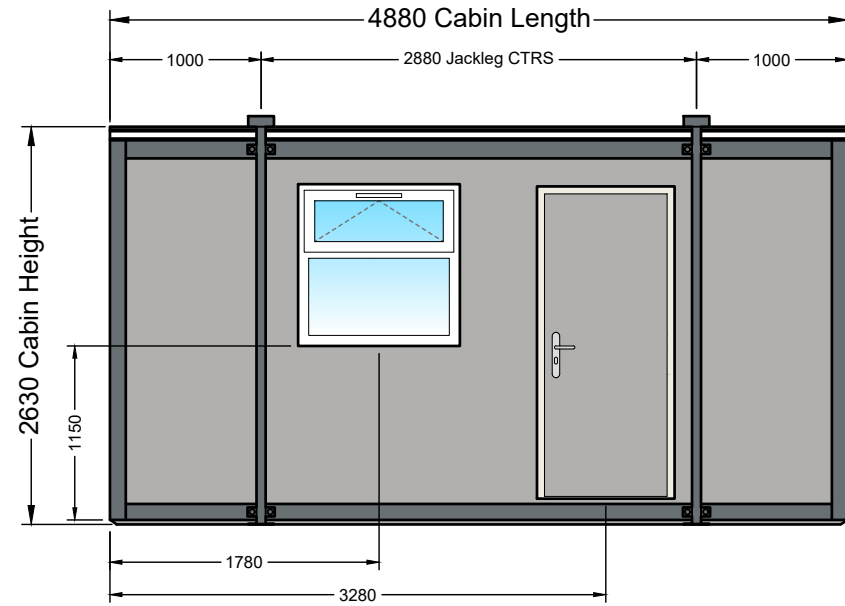
SIDE ELEVATION "C"



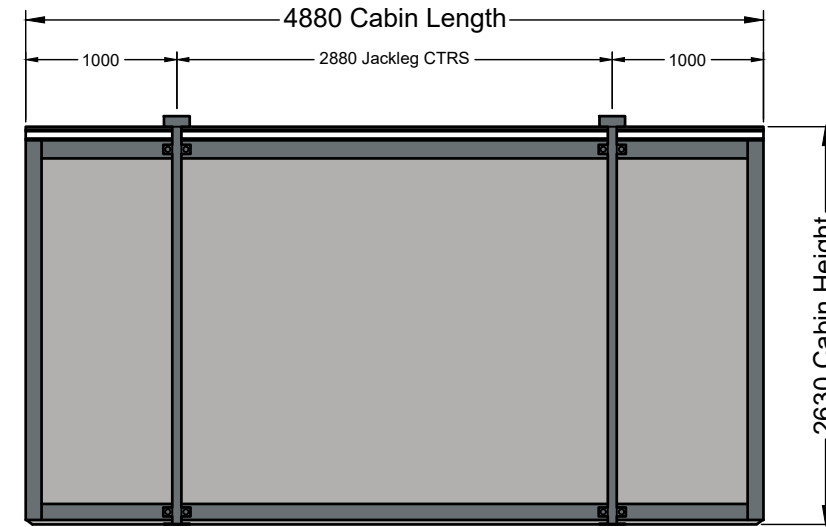
SIDE ELEVATION "D"



SIDE ELEVATION "A"



SIDE ELEVATION "B"



Distribution Board	Wall Light Switch	Water Heater - Under/Over Sink
Panel Heater	Pull Light Switch	Shower Heater
Tubular Heater	Tubular Light Fitting	Extraction Fan
High Level Fan Heater	Bulkhead Light	Thermostat
13A Double Socket in Trunking	- EB Emergency Backup (Light Fitting)	Frost Stat
13A Double Socket HL	Motion Sensor	Integrated Container Vent
13 A Double Socket LL	Motion Sensor Override Switch	ES 12mm Earthing Stud
Fused Spur	EXIT Emergency Exit Light	
RJ45 Data Socket		

Additional Details:
**

Client
QF-704
16' x 10' Jack Leg Office Cabin

Drawn by:
PMW

Date: 15-02-2024	Scale: 1:50@A3	Rev: A
----------------------------	--------------------------	------------------

Container Type:
16' x 10' Jack Leg cabin