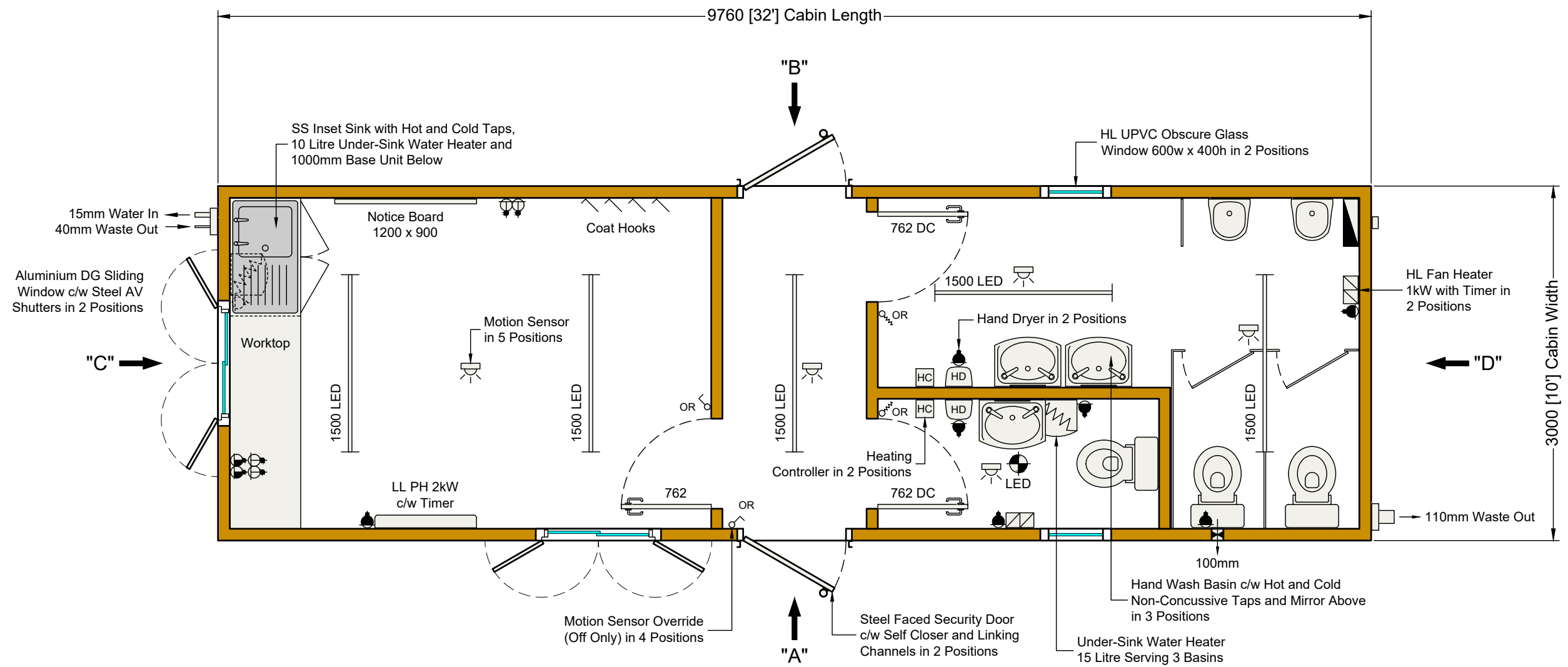


SECTIONAL PLAN



Wall & Floor Specification

**Internal Walls:**  
Plasterboard Internal Face, Fastened to 44 x 34 Wall Studs, Insulated with Fibreglass/Mineral Wool

**External Wall Construction:**  
1.6mm Profiled Steel Wall Panels Painted with One Coat Colour White - BS4800 00 E 55.

**Floor Finish:**  
18mm OSB3 board and 2mm Vinyl (Non-Slip in Toilets) - Colour TBC

- |  |                                |  |                           |
|--|--------------------------------|--|---------------------------|
|  | Distribution Board             |  | Wall Light Switch         |
|  | 2 Kw Panel Heater              |  | Pull Light Switch         |
|  | Tubular panel heater           |  | Thermostat                |
|  | High level Fan heater          |  | Extraction Fan            |
|  | Water heater - under/over sink |  | Shower Heater             |
|  | Waterproof fluorescent light   |  | Frost Stat                |
|  | Bulkhead light                 |  | Integrated container vent |
|  | 13A Socket-above counter       |  | 12mm Earthing Stud        |
|  | 13 A socket - below counter    |  | Fused Spur                |

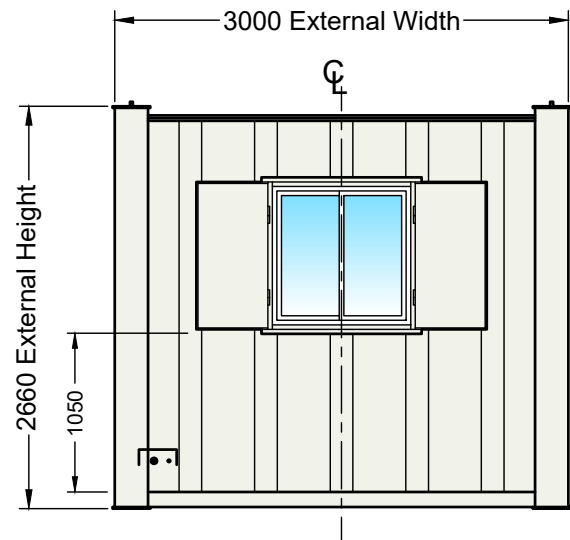
**portablespace**<sup>®</sup>  
cabin & container hire | sales | conversions | modular

Modular House • Bacton Business Park  
Bacton • Suffolk • IP14 4LE  
TEL: 01449 782 123 • www.portablespace.co.uk

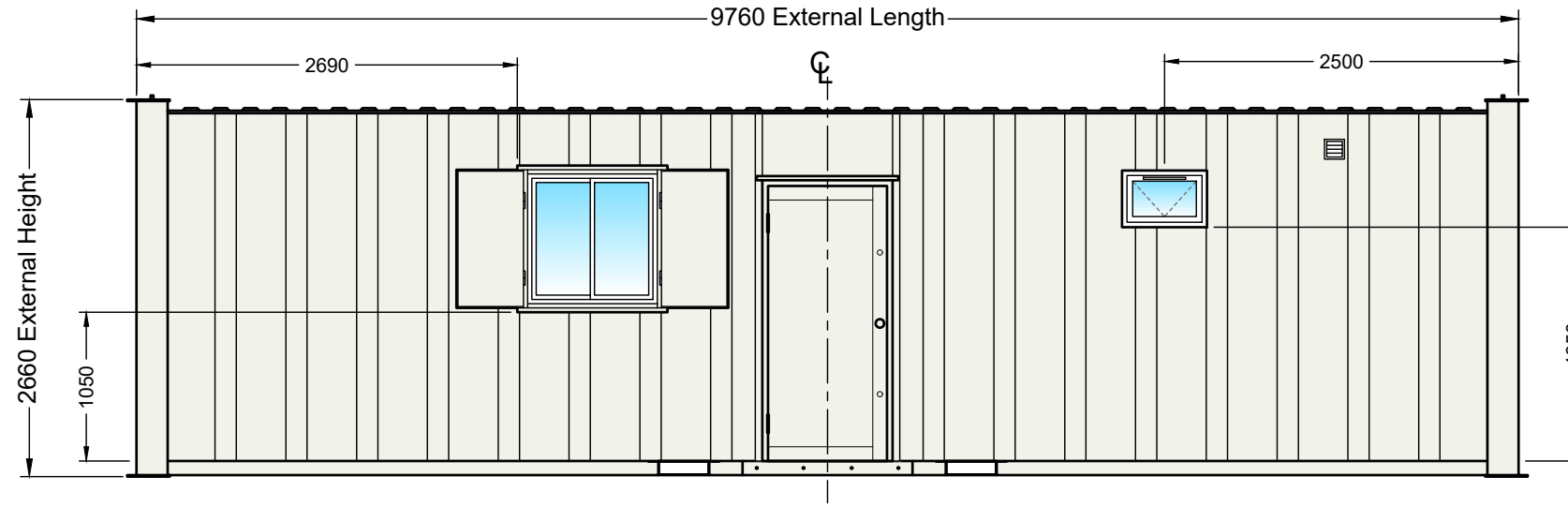
Copyright in this drawing belongs to Portable Space Ltd. Neither the whole drawing nor any part thereof may be reproduced without the prior written permission of Portable Space Ltd.

DESCRIPTION: 32' x 10' Canteen/Toilet(2+1) Steel AV Cabin - Heart Unit		QF NUMBER: QF-671 (Sales) QF-98 (Hire)	
CONTAINER TYPE: Steel Anti-Vandal Cabin		DRAWING NUMBER: 10-00671	REV: 0
DRAWN BY	NAME PMW	DATE 14-08-2024	UNLESS OTHERWISE SPECIFIED, DIMENSIONS ARE IN MILLIMETRES TOLERANCES (UNLESS OTHERWISE SPECIFIED): LINEAR = 0 +/- 2.0mm 0.0 +/- 1.5mm 0.00 +/- 0.50mm ANGULAR = 2deg
CHECKED BY	-	xx-xx-xxxx	
SCALE 1:40		[DO NOT SCALE DRAWING]	WEIGHT: TBC <small>[APPROX CALCULATION]</small>
A3		SHEET 1 OF 2	

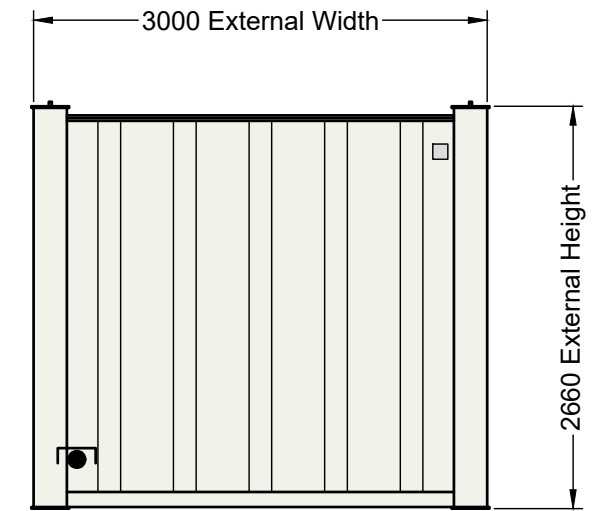
SIDE ELEVATION "C"



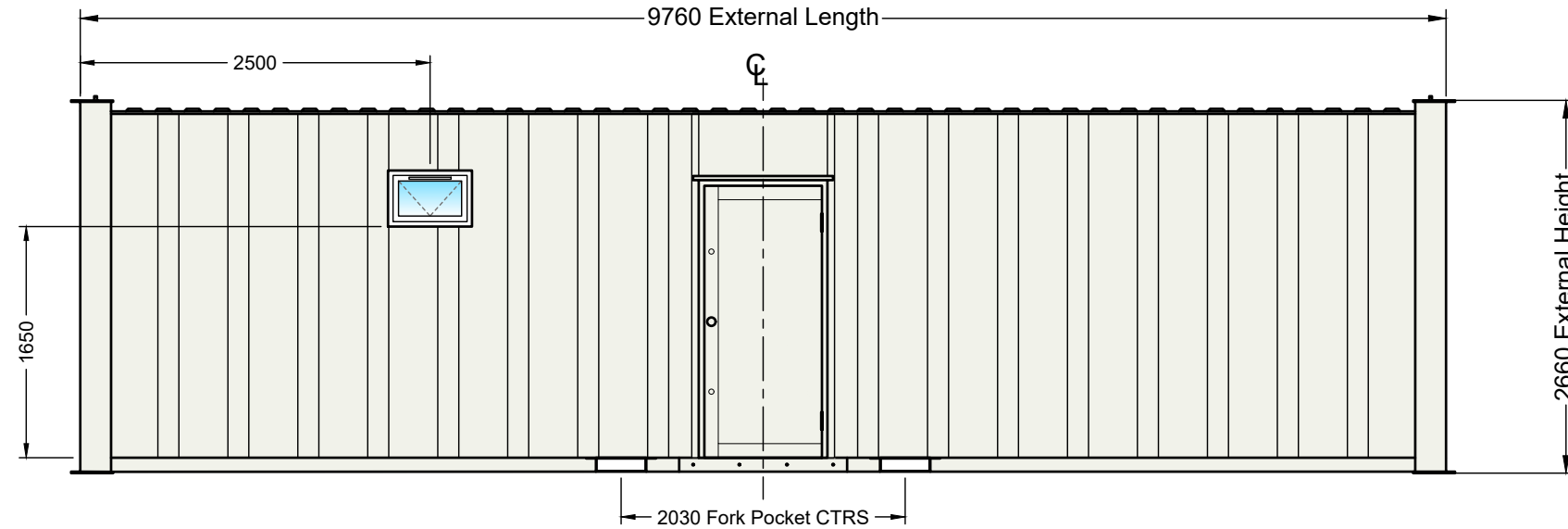
SIDE ELEVATION "A"



SIDE ELEVATION "D"



SIDE ELEVATION "B"



Wall & Floor Specification

**Internal Walls:**  
Plasterboard Internal Face, Fastened to 44 x 34 Wall Studs, Insulated with Fibreglass/Mineral Wool

**External Wall Construction:**  
1.6mm Profiled Steel Wall Panels Painted with One Coat Colour White - BS4800 00 E 55.

**Floor Finish:**  
18mm OSB3 board and 2mm Vinyl (Non-Slip in Toilets) - Colour TBC

- Distribution Board
- 2 Kw Panel Heater
- Tubular panel heater
- High level Fan heater
- Water heater - under/over sink
- Waterproof fluorescent light
- Bulkhead light
- 13A Socket-above counter
- 13 A socket - below counter
- Wall Light Switch
- Pull Light Switch
- Thermostat
- Extraction Fan
- Shower Heater
- Frost Stat
- Integrated container vent
- 12mm Earthing Stud
- Fused Spur



Modular House • Bacton Business Park  
Bacton • Suffolk • IP14 4LE  
TEL: 01449 782 123 • www.portalspace.co.uk  
Copyright in this drawing belongs to Portable Space Ltd. Neither the whole drawing nor any part thereof may be reproduced without the prior written permission of Portable Space Ltd.

DESCRIPTION:  
32' x 10' Canteen/Toilet(2+1)  
Steel AV Cabin - Heart Unit

CONTAINER TYPE:  
Steel Anti-Vandal Cabin

QF NUMBER:  
QF-671 (Sales)  
QF-98 (Hire)

DRAWING NUMBER:  
10-00671

REV:  
0

NAME	DATE	UNLESS OTHERWISE SPECIFIED, DIMENSIONS ARE IN MILLIMETRES TOLERANCES (UNLESS OTHERWISE SPECIFIED): LINEAR = 0 +/- 2.0mm 0.0 +/- 1.5mm 0.00 +/- 0.50mm ANGULAR = 2deg		WEIGHT: TBC <small>[APPROX CALCULATION]</small>
DRAWN BY	PMW	14-08-2024	SCALE 1:50	SHEET 2 OF 2
CHECKED BY	-	xx-xx-xxxx	[DO NOT SCALE DRAWING]	