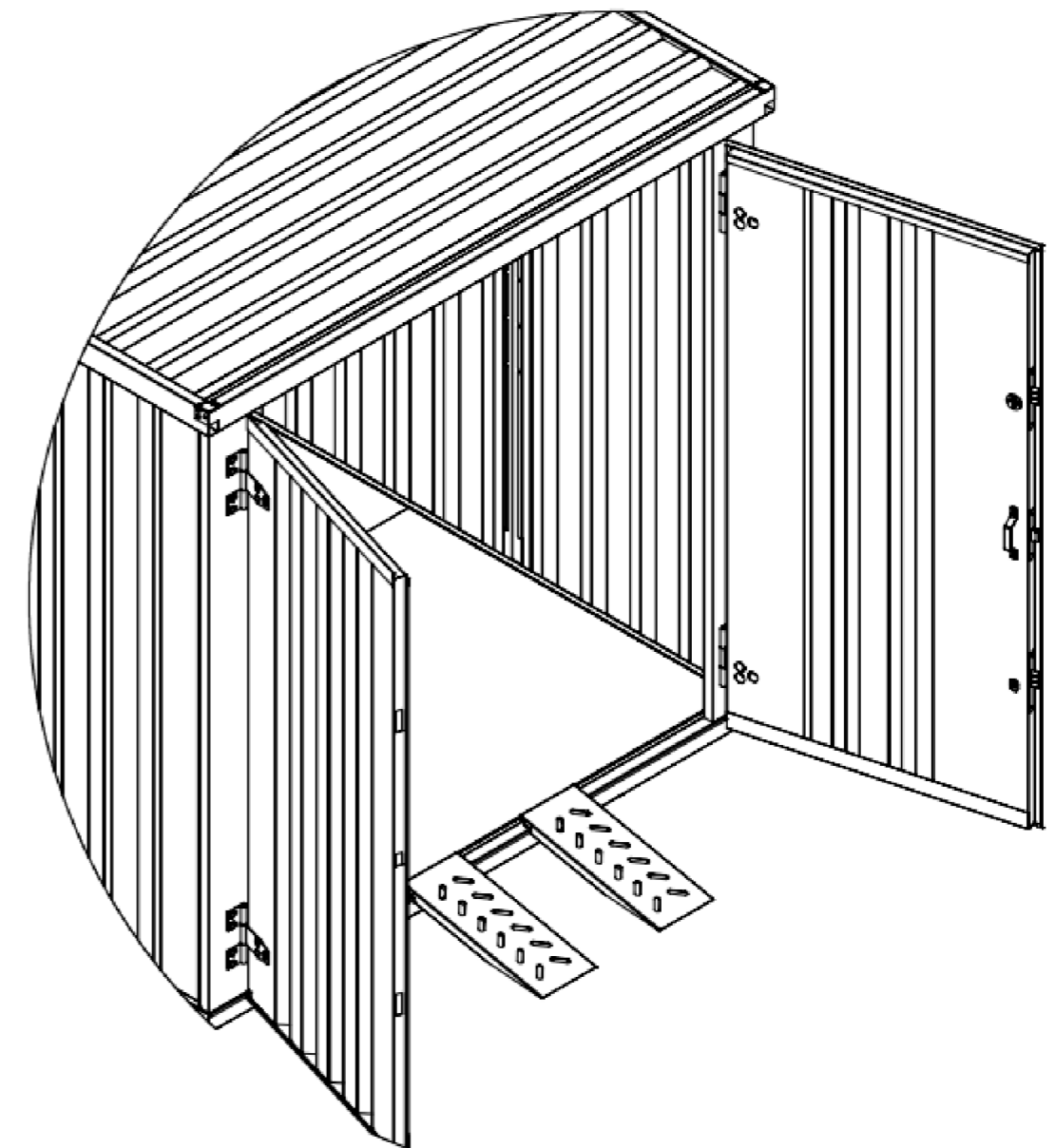



ISO VIEW OF SINGLE RAMP  
[SCALE 1:5]



 cabin & container hire   sales   conversions   modular	DESCRIPTION:		DOUBLE RAMP		QF NUMBER:		QF-510		
	CONTAINER/UNIT TYPE:		FLATPACK ACCESSORY		DRAWING NUMBER:		10-00510		
Modular House, Bacton Business Park, Suffolk, IP14 4LE TEL. 01449 782 123 www.portablespace.co.uk		NAME		DATE		UNLESS OTHERWISE SPECIFIED, DIMENSIONS ARE IN MILLIMETERS TOLERANCES (UNLESS OTHERWISE SPECIFIED): LINEAR = 0 +/- 1.5mm 0.0 +/- 0.5mm 0.00 +/- 0.25mm ANGULAR = 1deg		WEIGHT:	
Copyright in this drawing belongs to Portable Space Ltd. Neither the whole drawing nor any part thereof may be reproduced without the prior written permission of Portable Space Ltd.		DRAWN BY		J.M.		28/01/2025		TBC	
		CHECKED		M.D.		28/01/2025		SCALE:1:5 [DO NOT SCALE DRAWING] A3 SHEET 1 OF 1	