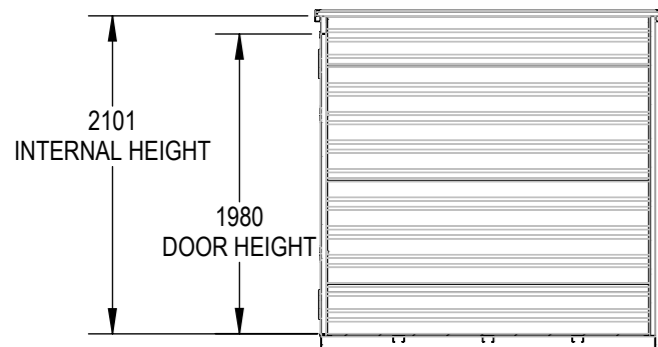
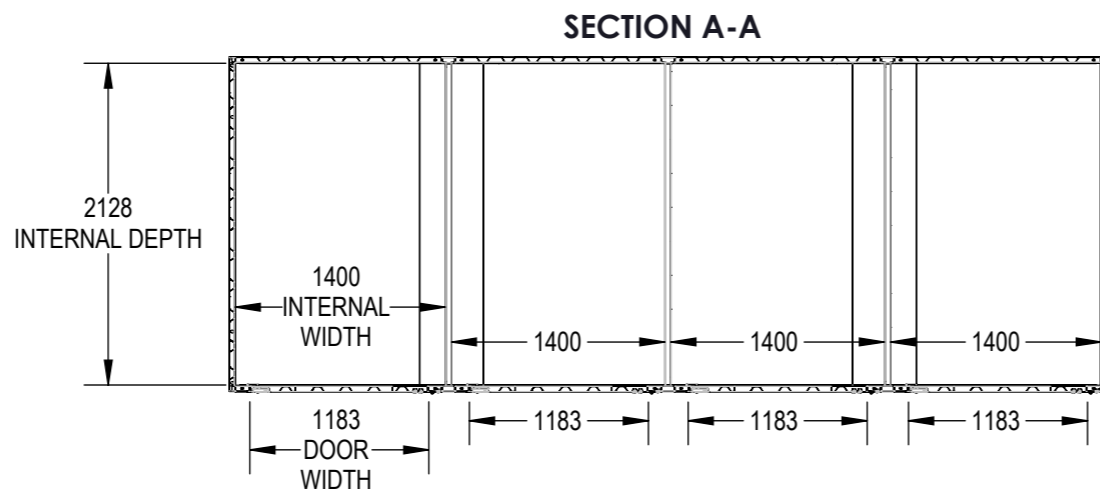


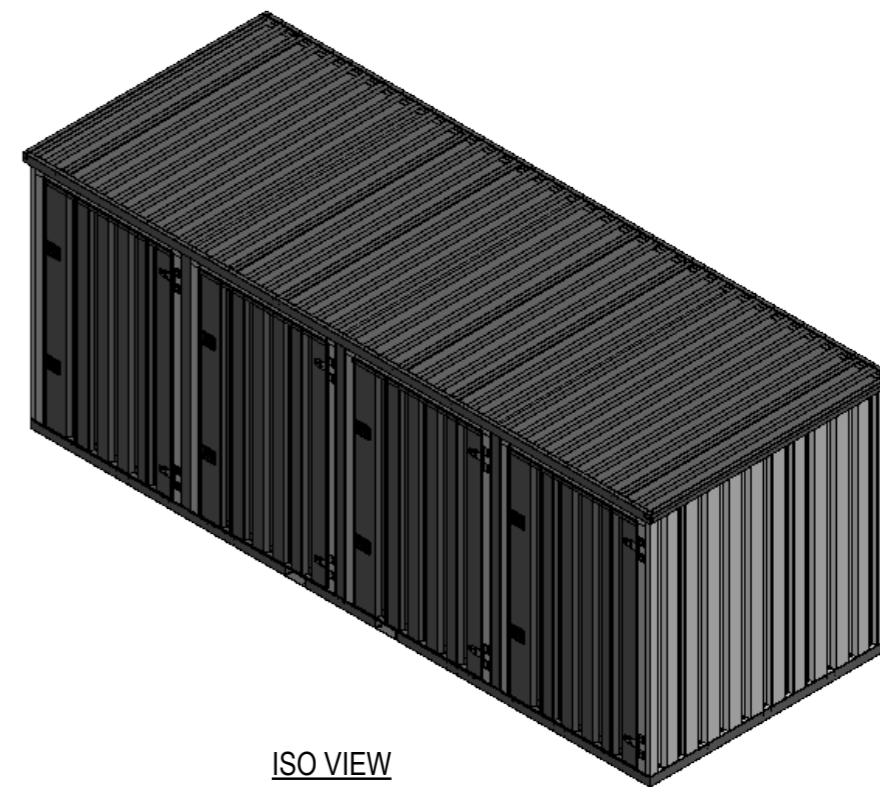
REVISIONS		
REV.	DESCRIPTION	DATE
A	ADDED OVERAL DIM FOR ROOF - 5882mm	12/03/2025



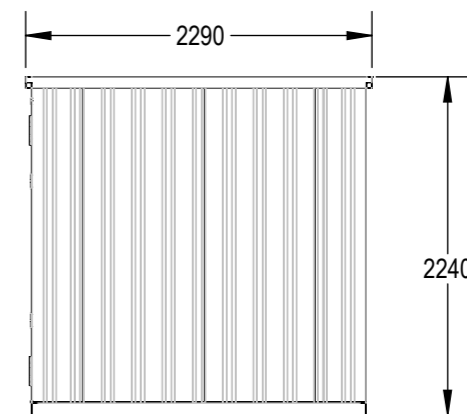
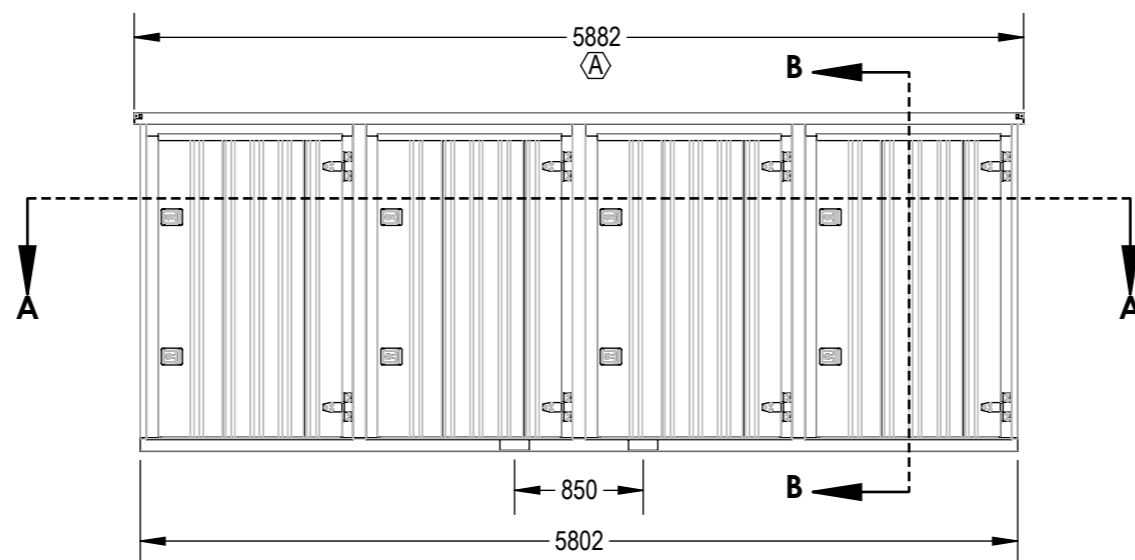
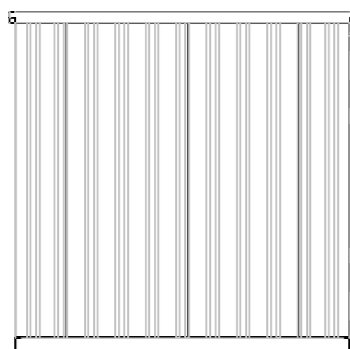
SECTION B-B



SECTION A-A




ISO VIEW
[SCALE 1:50]



BUILD NOTES:

- POWDER COATED PANELS OVER GALVANISED STEEL
- FULL GALVANISED BODY
- 15mm OSB FLOOR

 cabin & container hire sales conversions modular		DESCRIPTION:		QF NUMBER:	
		6M MULTI-COMPARTMENT FLATPACK CONTAINER		QF-273	
Modular House, Bacton Business Park, Suffolk, IP14 4LE TEL. 01449 782 123 www.portablespace.co.uk		CONTAINER/UNIT TYPE:		DRAWING NUMBER:	Rev:
Copyright in this drawing belongs to Portable Space Ltd. Neither the whole drawing nor any part thereof may be reproduced without the prior written permission of Portable Space Ltd.		FLATPACK UNIT		10-10273	A
DRAWN BY	NAME	DATE	UNLESS OTHERWISE SPECIFIED, DIMENSIONS ARE IN MILLIMETERS TOLERANCES (UNLESS OTHERWISE SPECIFIED): LINEAR = 0 +/- 1.5mm 0.0 +/- 0.5mm 0.00 +/- 0.25mm ANGULAR = 1deg		WEIGHT:
J.M.	M.D.	27/06/2024	SCALE:1:50 [DO NOT SCALE DRAWING]		380kg
CHECKED		01/07/2024	A3	SHEET 1 OF 1	