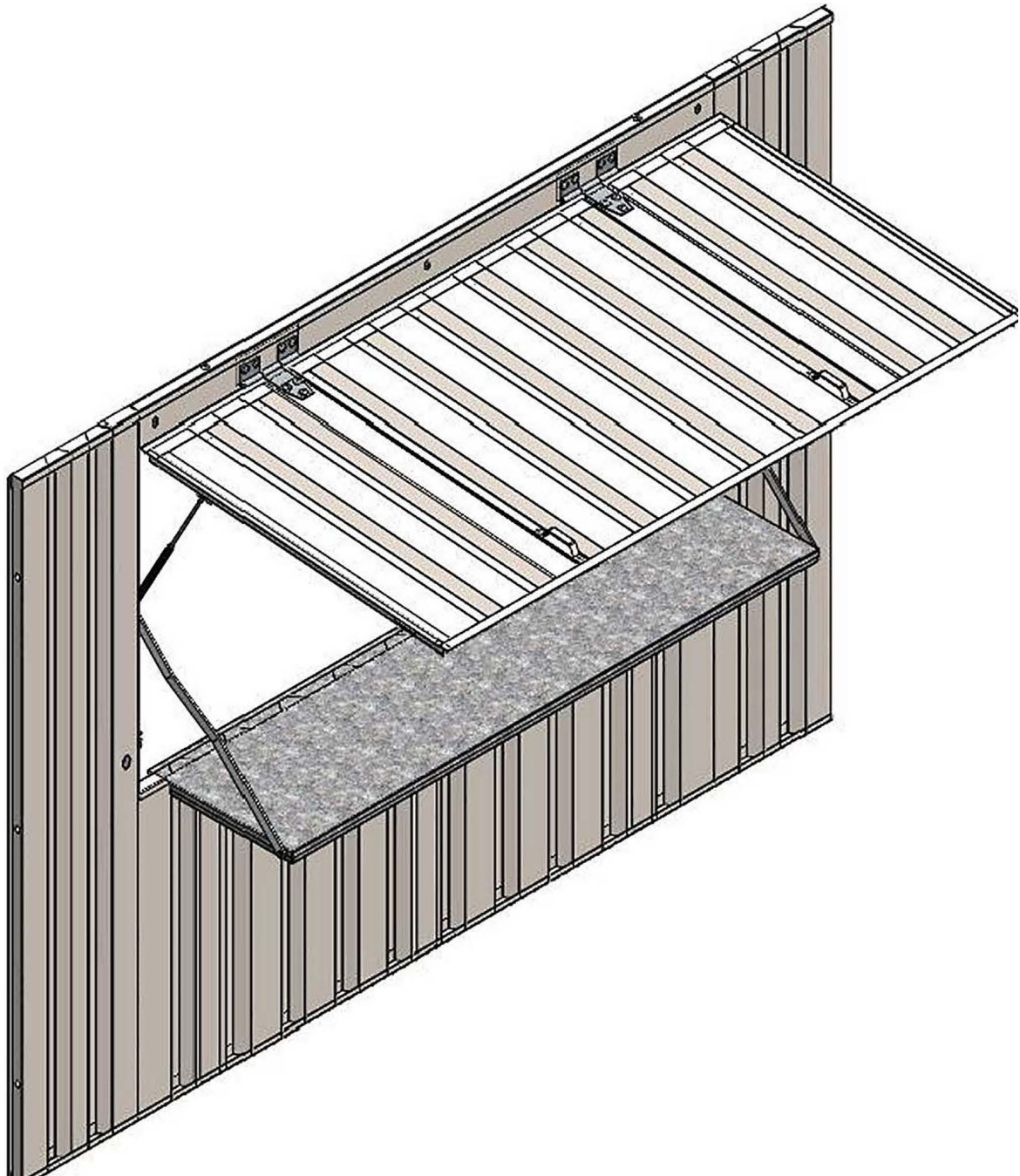
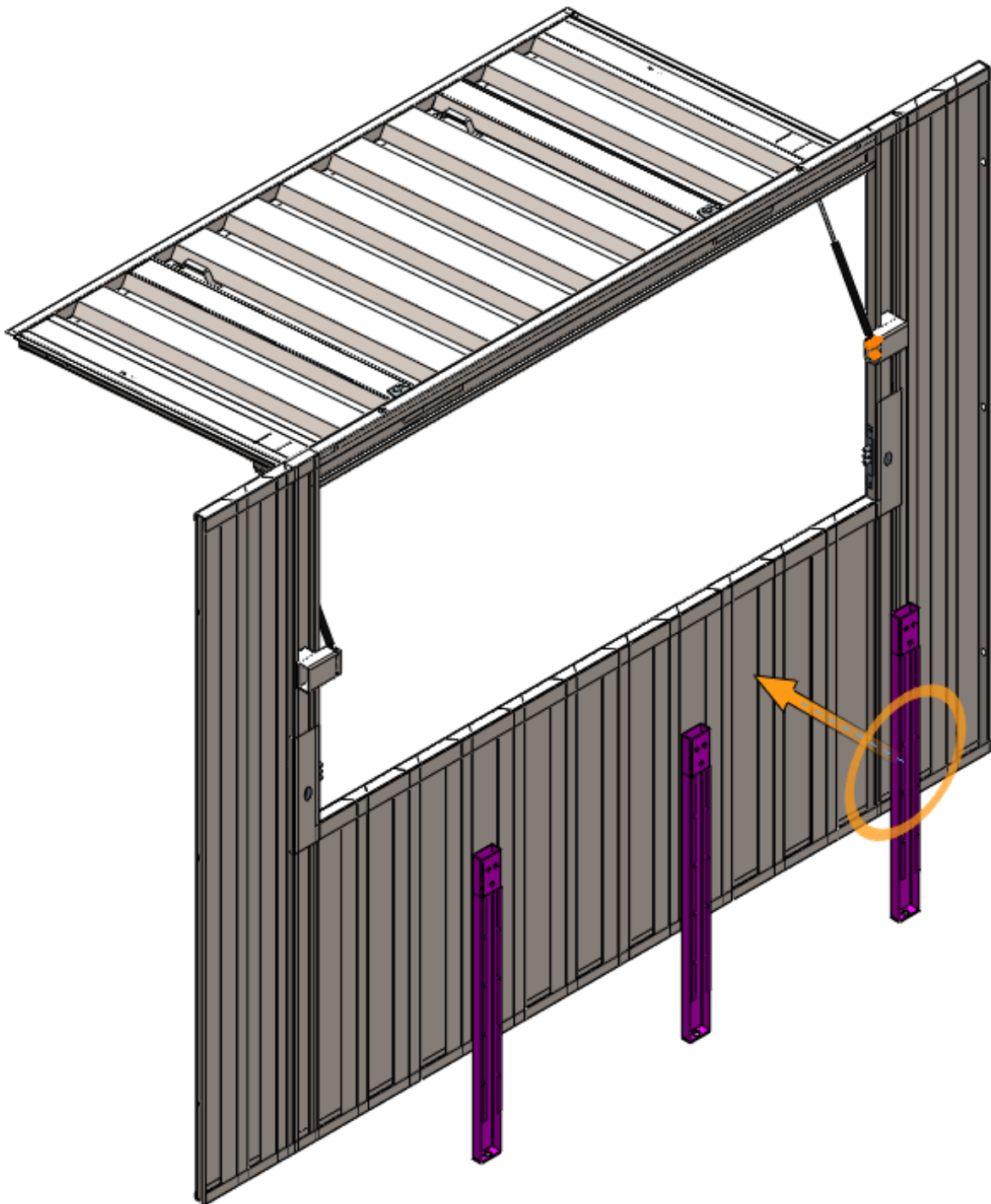


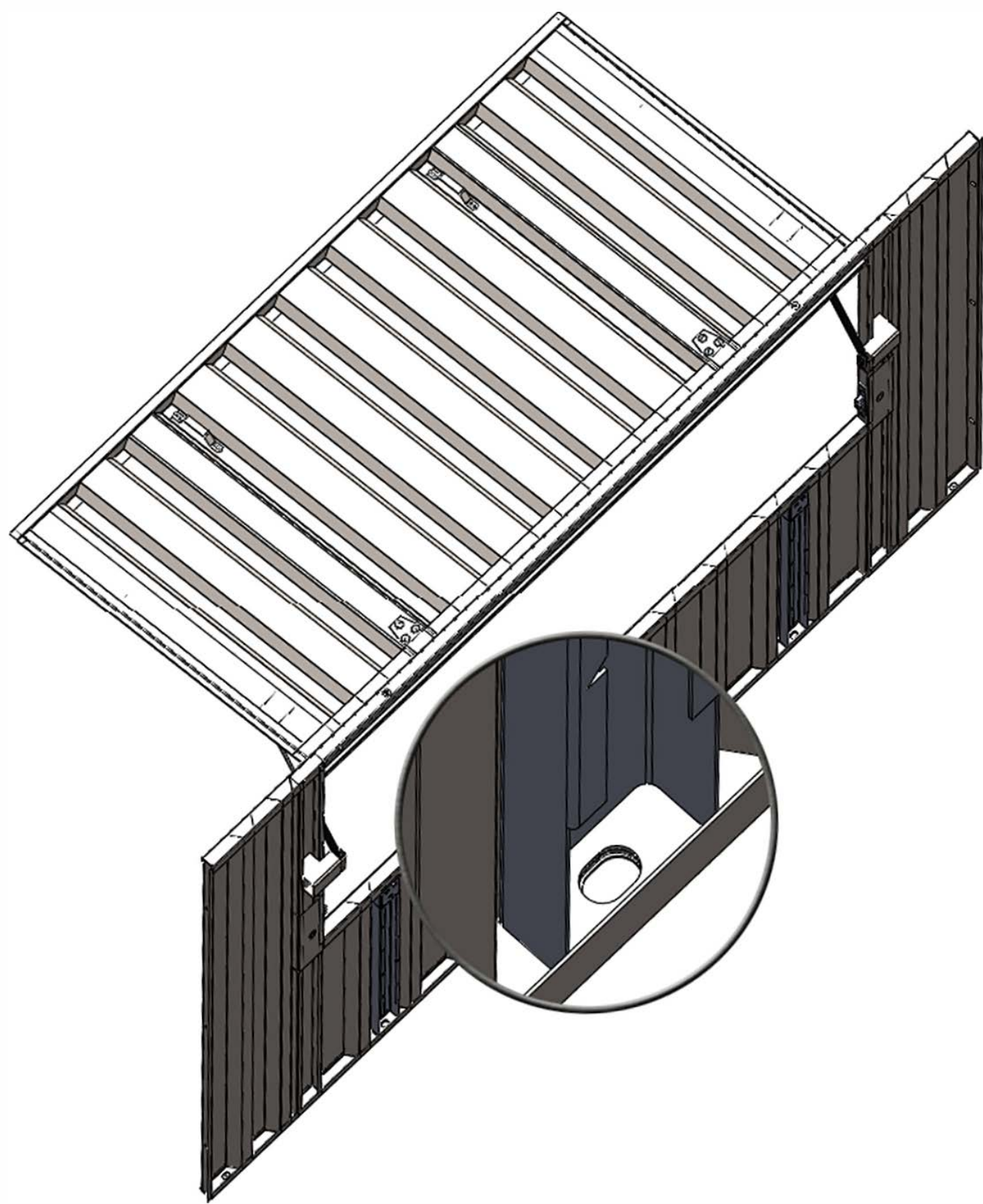
# FLAT PACK KIOSK HATCH SHELF

3M & 4M XL INSTALLATION INSTRUCTIONS

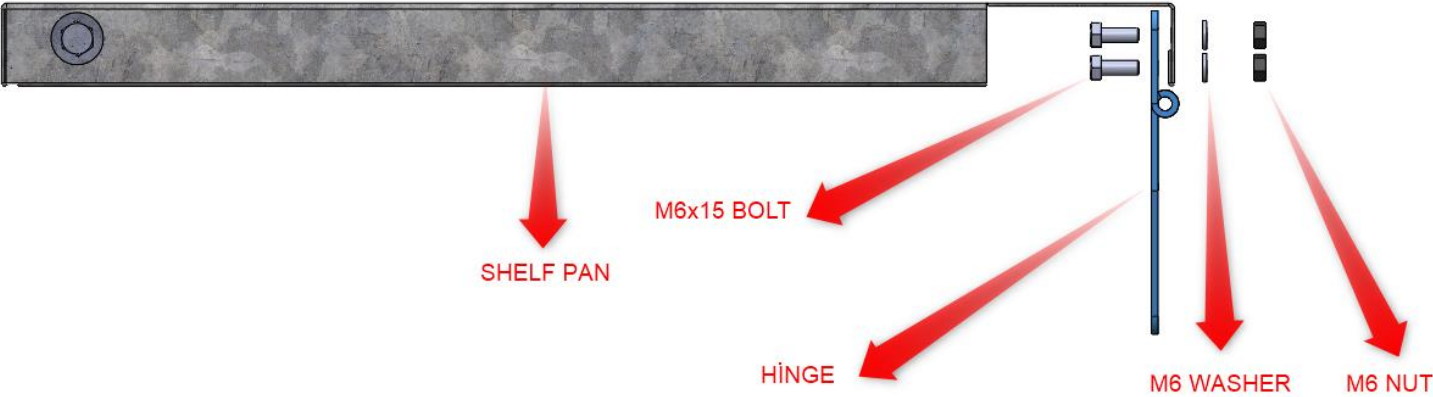


1. Secure the kiosk hatch shelf legs, ensuring they align precisely with the holes in the canopy panel, as shown below.

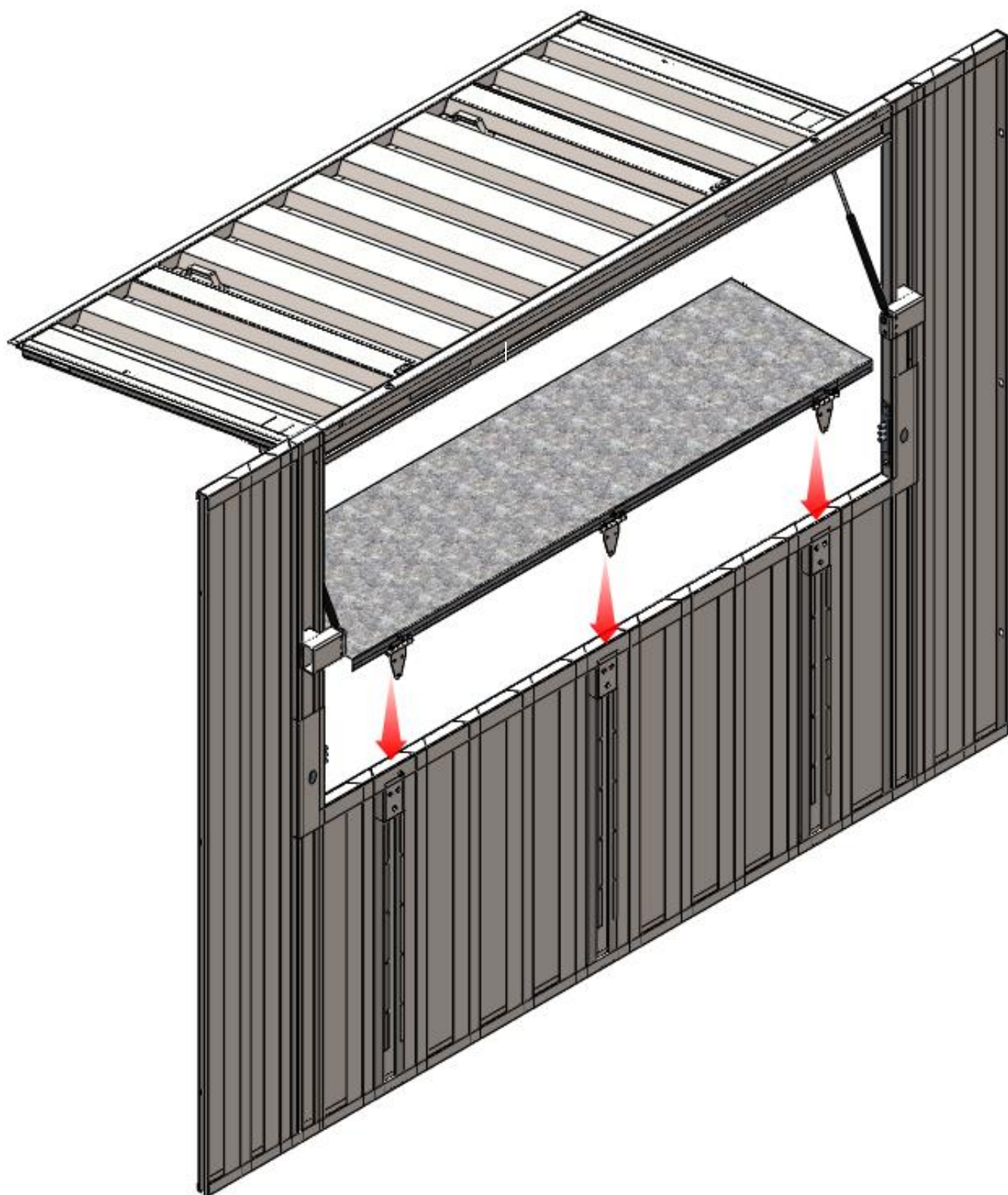


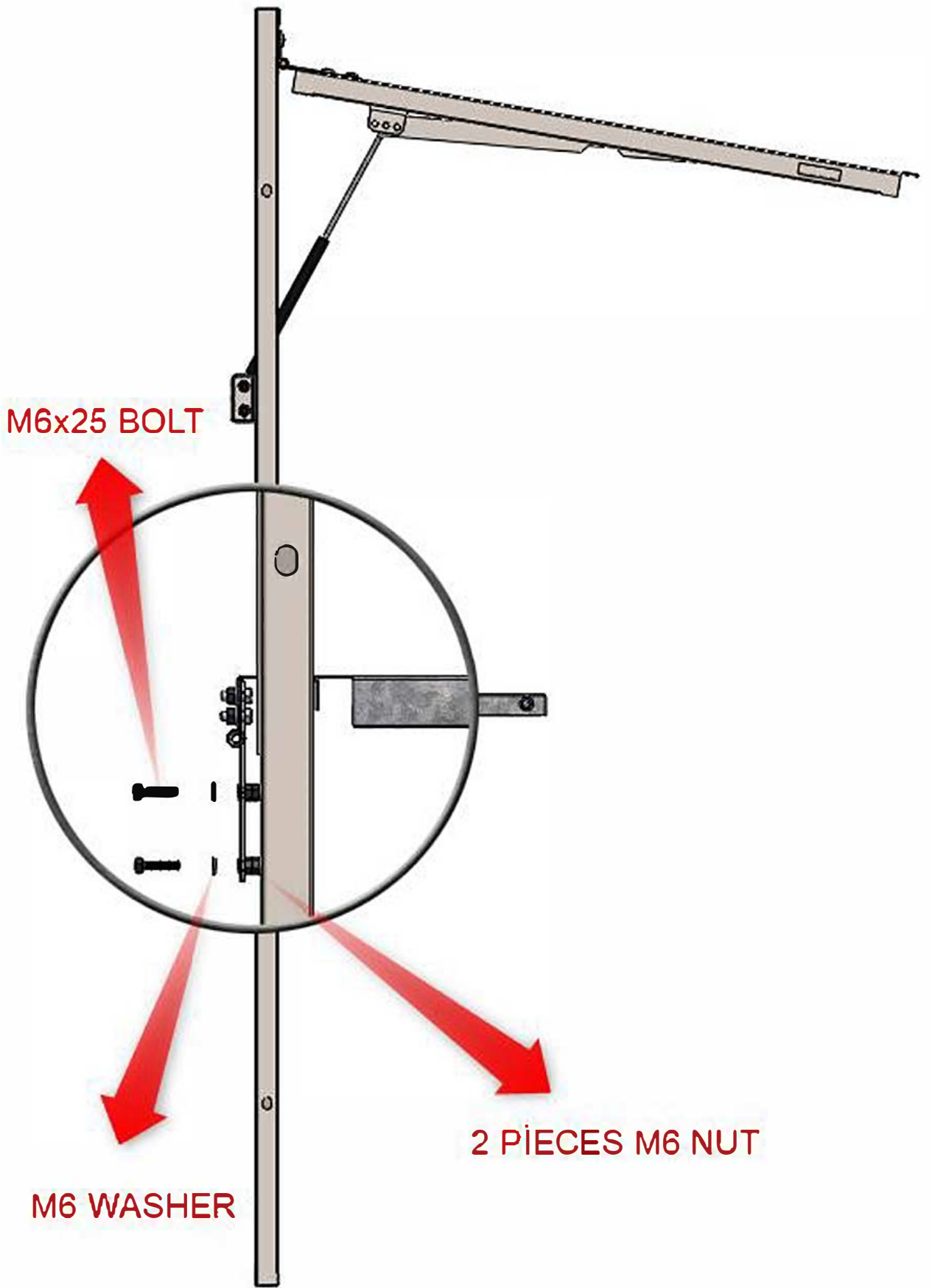


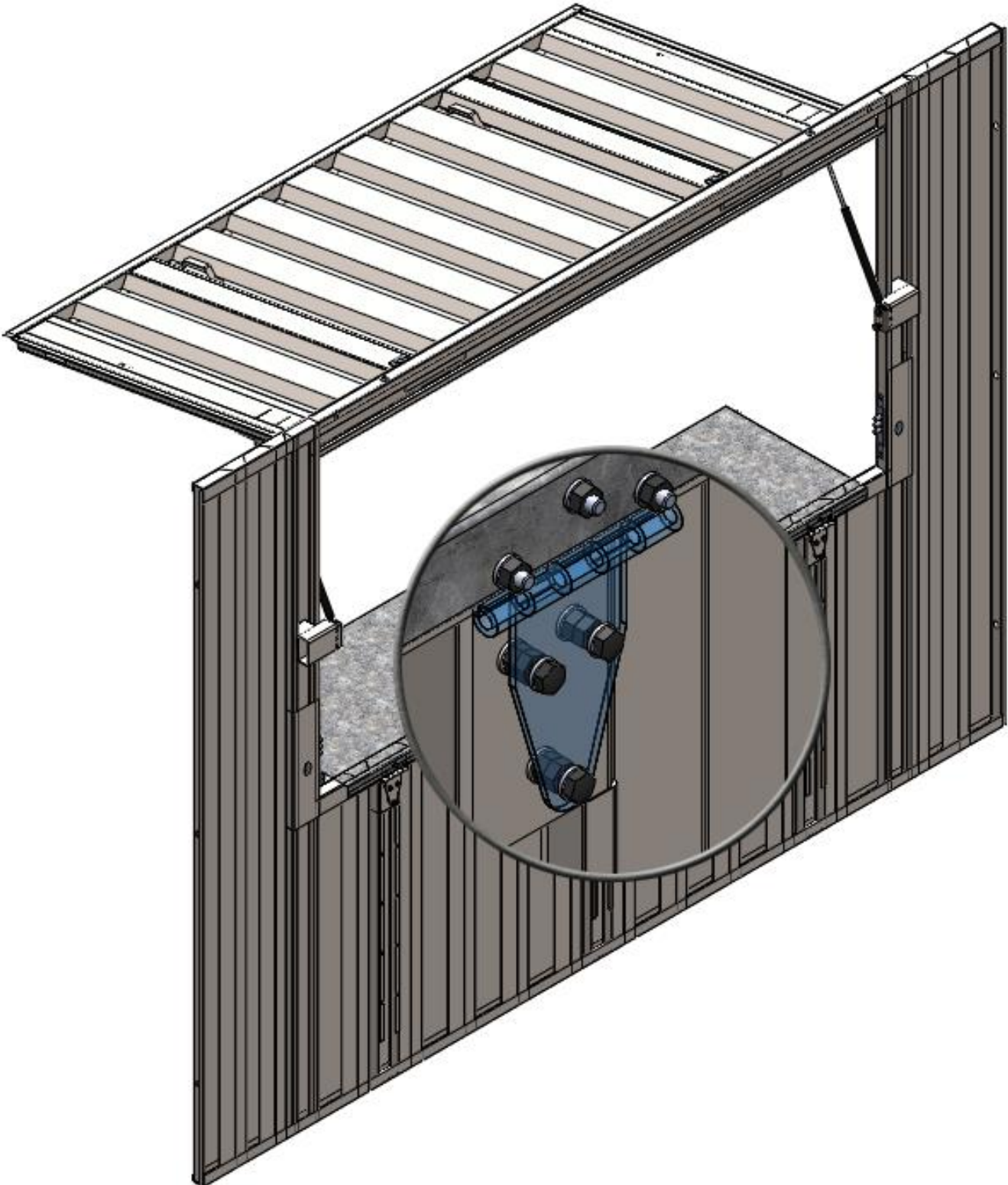
2. Attach the three hinges to the shelf using M6 bolts, nuts and washers.



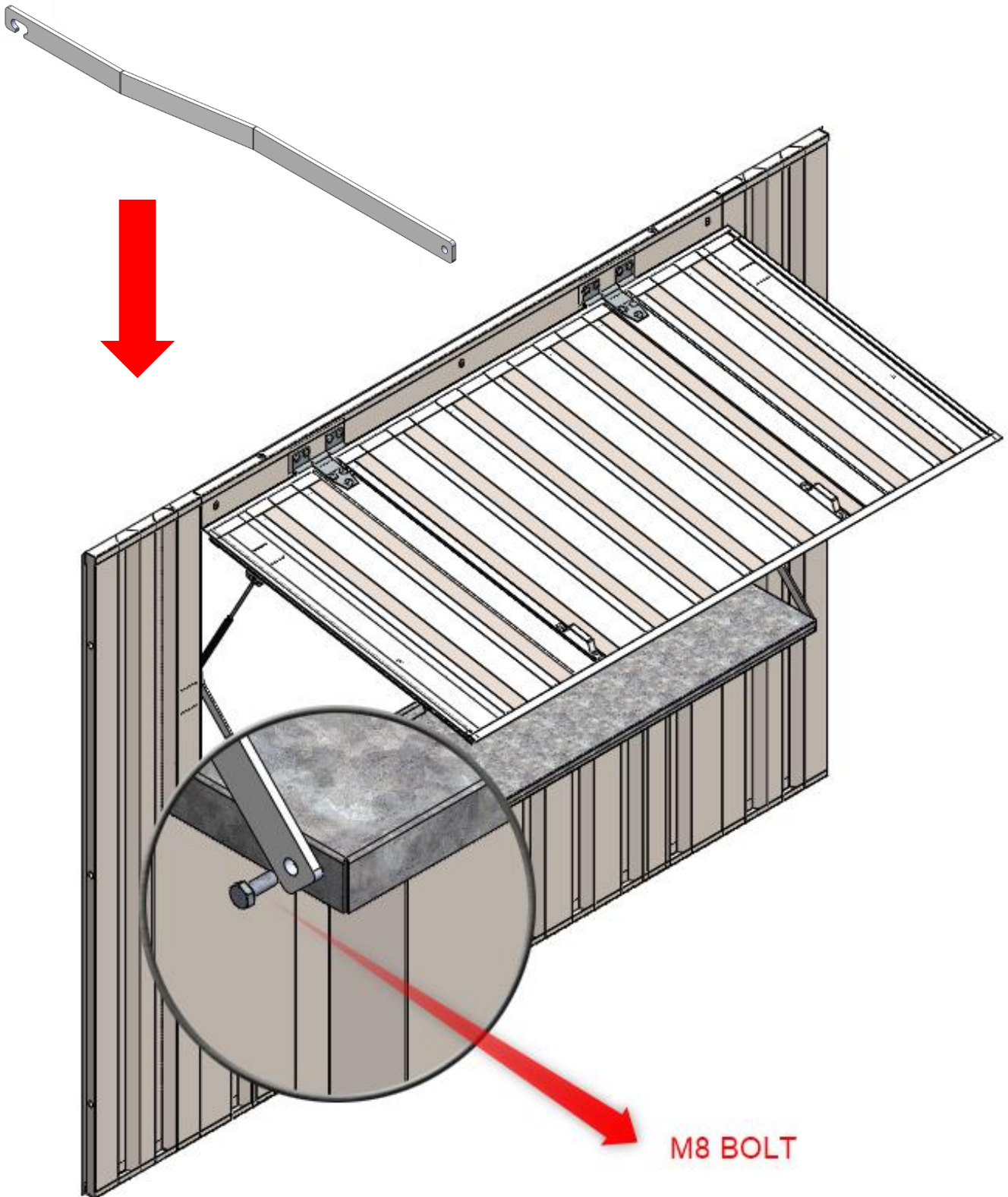
3. Centre the shelf so that the hinges align with the legs on the canopy panel and attach.



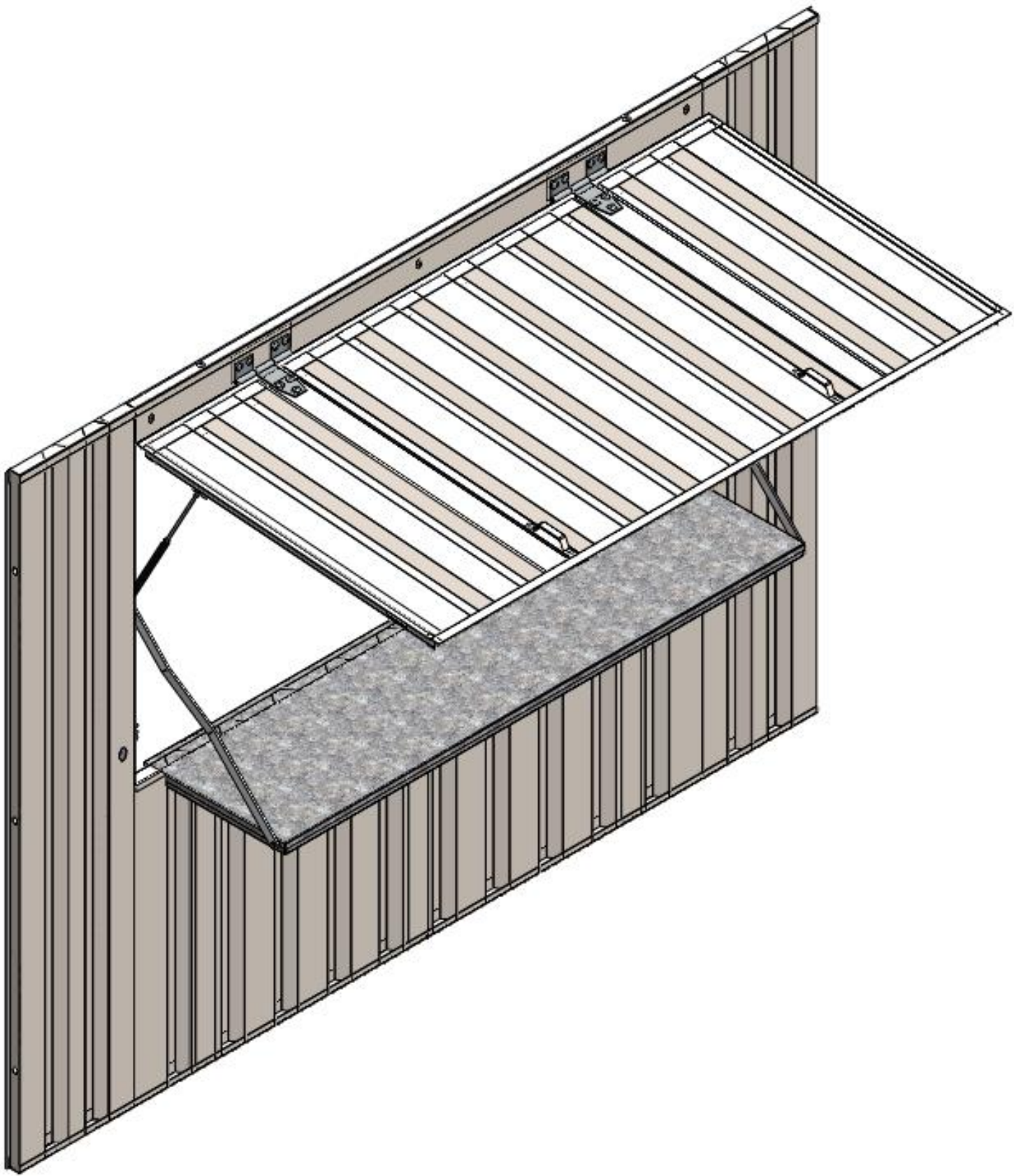




4. Finally, attach the shelf arms, completing the assembly.







portablespace<sup>®</sup>

cabin & container hire | sales | conversions | modular

Portable Space Ltd,  
Modular House, Bacton Business Park,  
Stowmarket, Suffolk, IP14 4LE

T: +44(0) 01449 782123  
info@portablespace.co.uk  
www.portablespace.co.uk