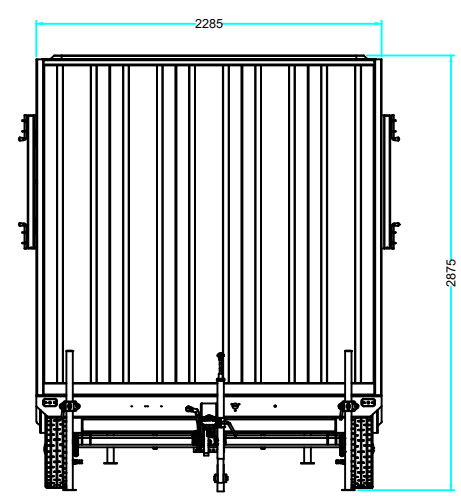
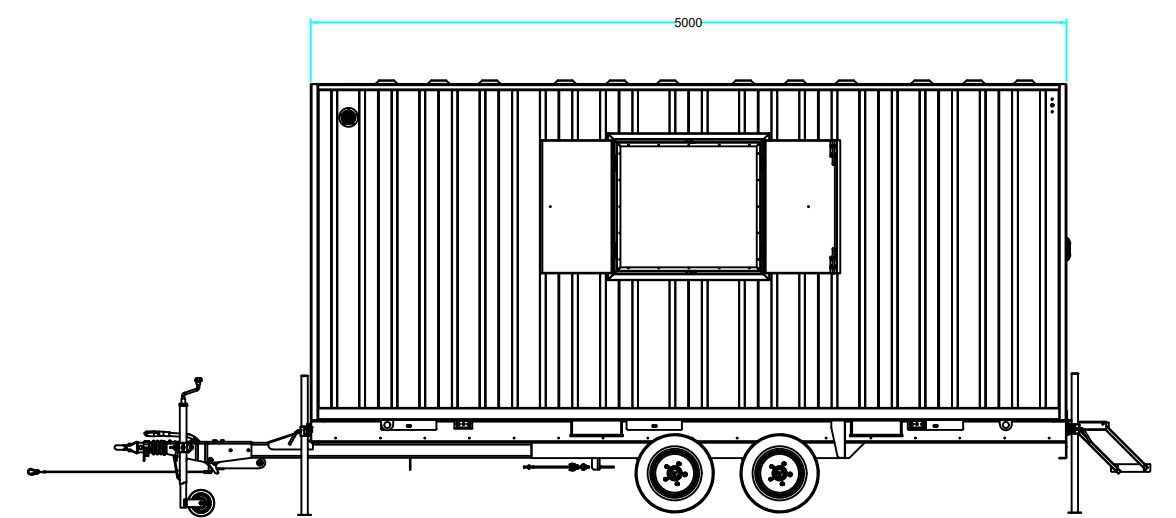
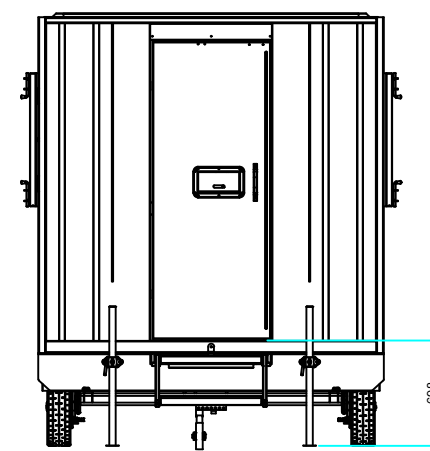
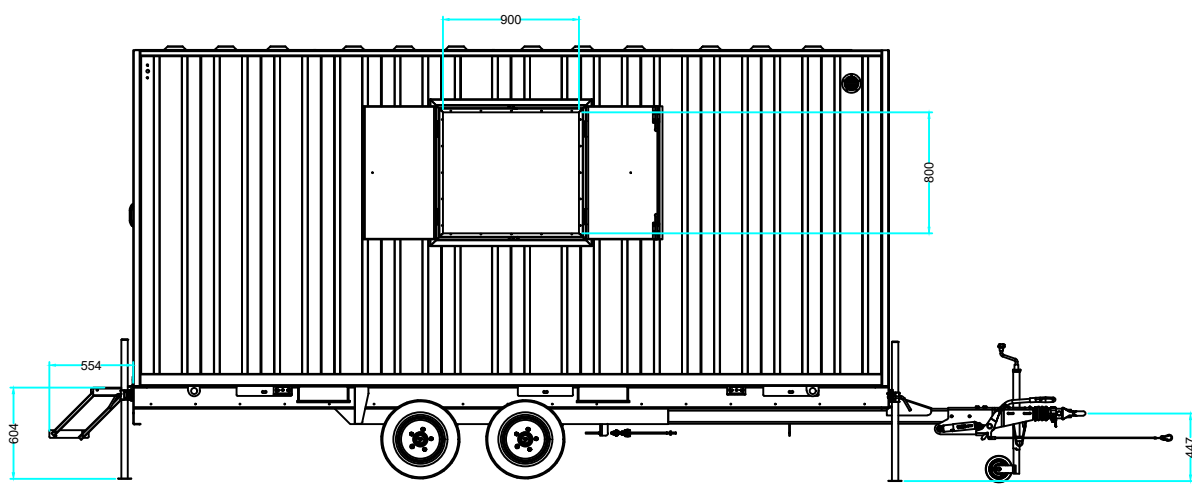
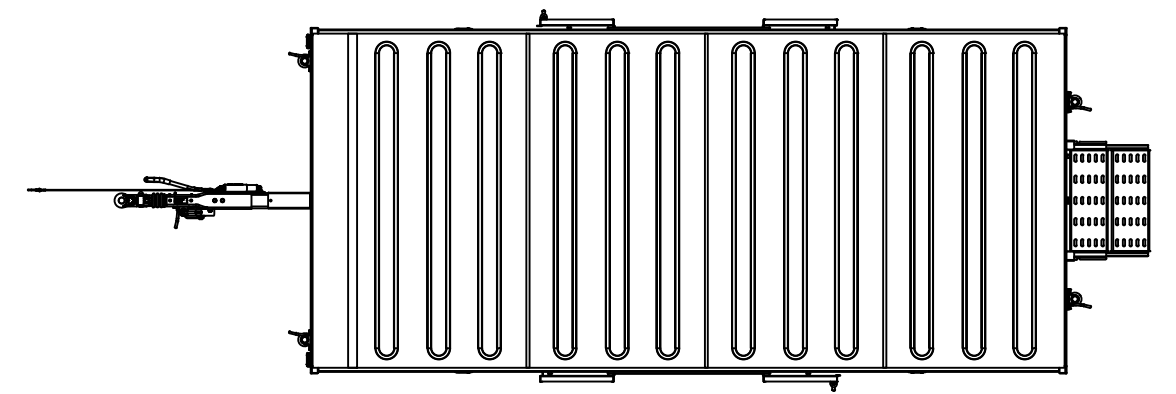
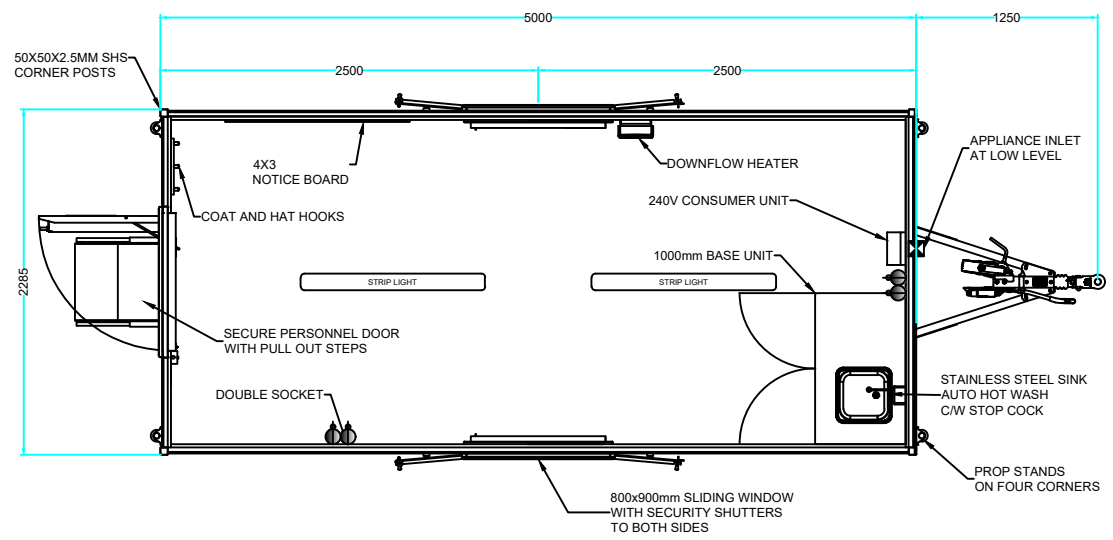



NOTES  
 1. FIXED TWIN AXLE RUBBER BEAM UNIT  
 2. LINED & INSULATED IN PLASTISOL PANELS  
 3. EKO PLY PLASTIC FLOORING



 cabin & container hire   sales   conversions   modular  Red House Farm Business Units, Bacton, Suffolk, IP14 4LE TEL. 01449 782 123 www.portablespace.co.uk  <small>Copyright in this drawing belongs to Portable Space Ltd. Neither the whole drawing nor any part thereof may be reproduced without the prior written permission of Portable Space Ltd.</small>	DESCRIPTION: <b>16FT X 7FT 6IN MOBILE OFFICE</b>		QF NUMBER: <b>QF-32</b>	
	CONTAINER TYPE: <b>MOBILE WELFARE UNIT</b>		DRAWING NUMBER: <b>10-10687</b>	Rev: <b>A</b>
DRAWN BY <b>J.M.</b>	DATE <b>13/10/2025</b>	<small>UNLESS OTHERWISE SPECIFIED, DIMENSIONS ARE IN MILLIMETERS          TOLERANCES (UNLESS OTHERWISE SPECIFIED):          LINEAR = 0 +/- 2.0mm 0.0 +/- 1.5mm 0.00 +/- 0.50mm          ANGULAR = 2deg</small>		WEIGHT: <b>1,800kg</b> <small>(APPROX. CALCULATION)</small>
CHECKED BY <b>I.S.</b>	DATE <b>13/10/2025</b>	SCALE: <b>1:50</b>	[DO NOT SCALE DRAWING]	<b>A3</b>
				<b>SHEET 1 OF 1</b>