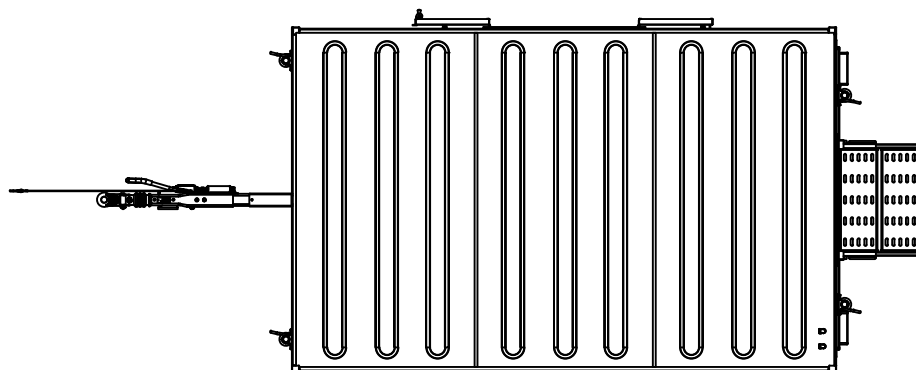
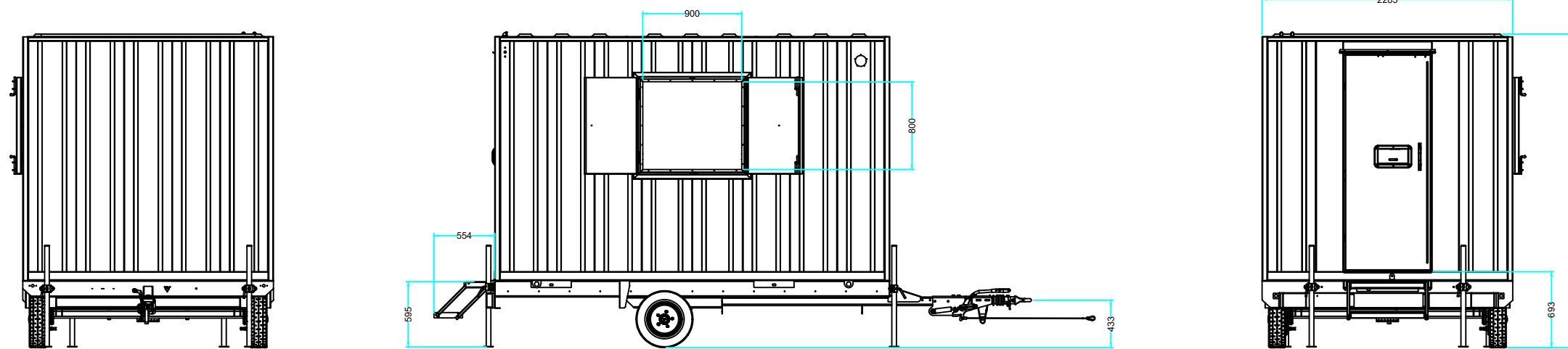
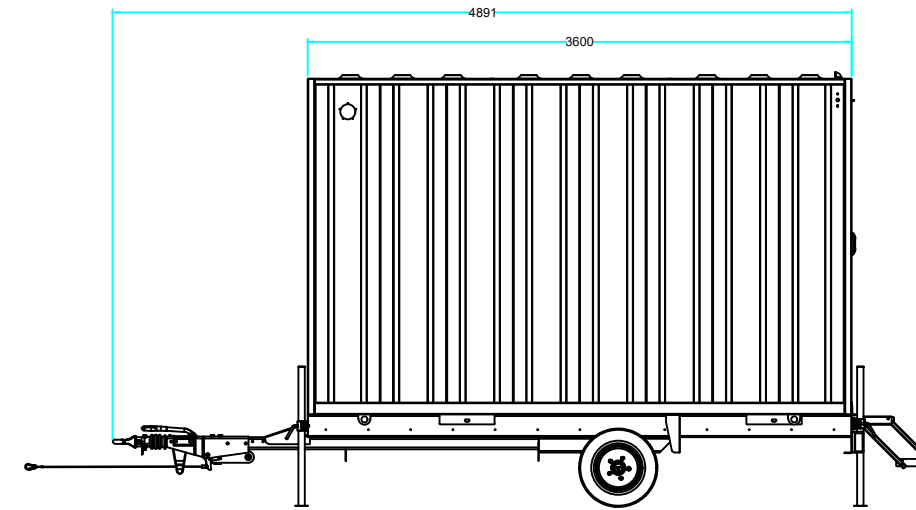
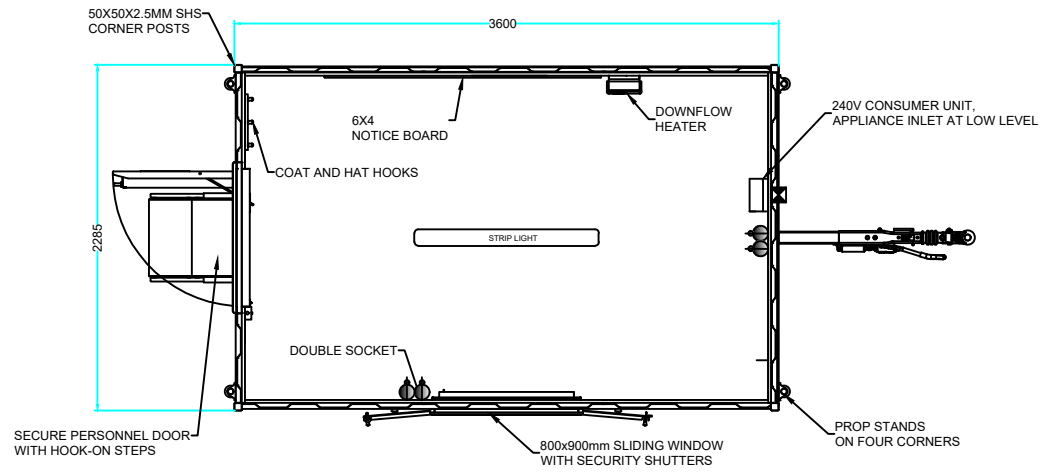


NOTES  
 1. FIXED SINGLE AXLE RUBBER BEAM UNIT  
 2. LINED & INSULATED IN PLASTISOL PANELS  
 3. EKO PLY PLASTIC FLOORING



**portablespace**<sup>®</sup>  
 cabin & container hire | sales | conversions | modular

Red House Farm Business Units, Bacton, Suffolk, IP14 4LE  
 TEL. 01449 782 123 www.portalspace.co.uk

Copyright in this drawing belongs to Portable Space Ltd. Neither the whole drawing nor any part thereof may be reproduced without the prior written permission of Portable Space Ltd.

DESCRIPTION: <b>12FT X 7FT 6IN MOBILE OFFICE</b>		QF NUMBER: <b>QF654</b>	
CONTAINER TYPE: <b>MOBILE WELFARE UNIT</b>		DRAWING NUMBER: <b>10-10654</b>	Rev: <b>A</b>
DRAWN BY <b>J.M.</b>	DATE <b>13/10/2025</b>	UNLESS OTHERWISE SPECIFIED, DIMENSIONS ARE IN MILLIMETERS TOLERANCES (UNLESS OTHERWISE SPECIFIED): LINEAR = 0 +/- 2.0mm 0.0 +/- 1.5mm 0.00 +/- 0.50mm ANGULAR = 2deg	
CHECKED BY <b>I.S.</b>	DATE <b>13/10/2025</b>	SCALE: <b>1:50</b>	[DO NOT SCALE DRAWING] <b>A3</b>
		WEIGHT: <b>1,450kg</b> (APPROX. CALCULATION)	
		<b>SHEET 1 OF 1</b>	