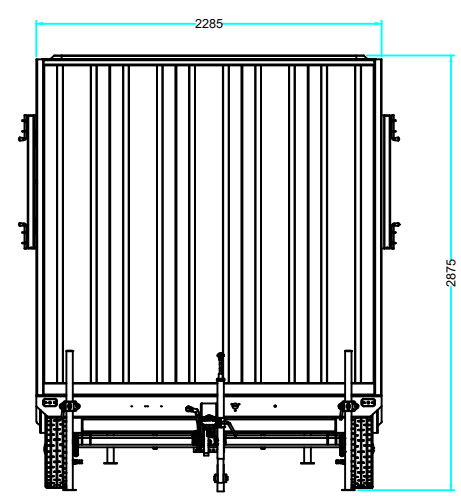
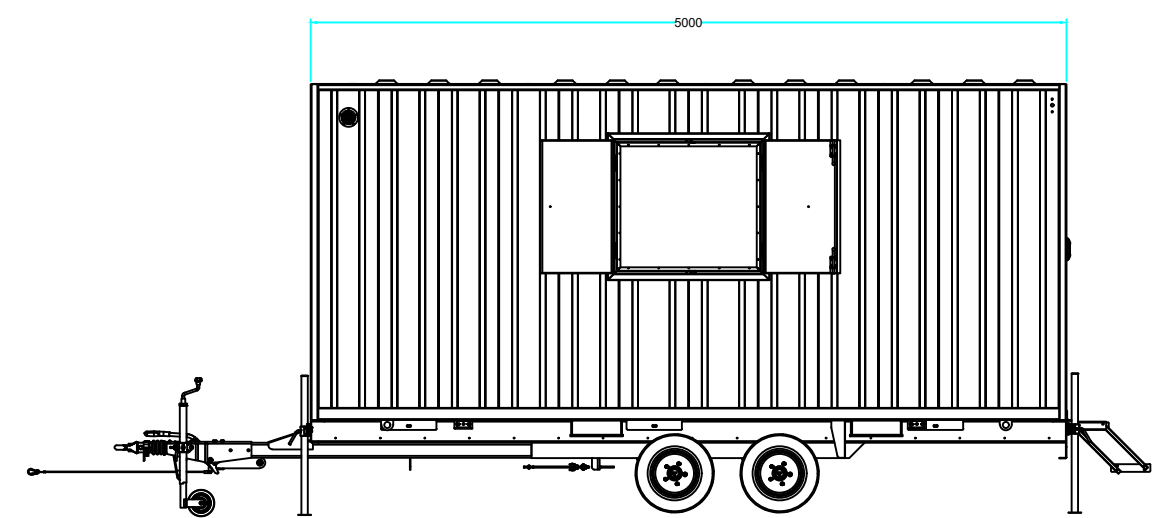
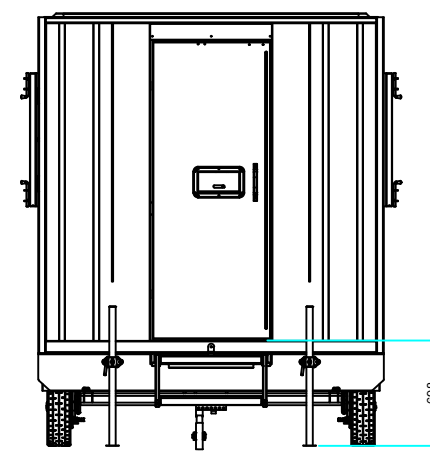
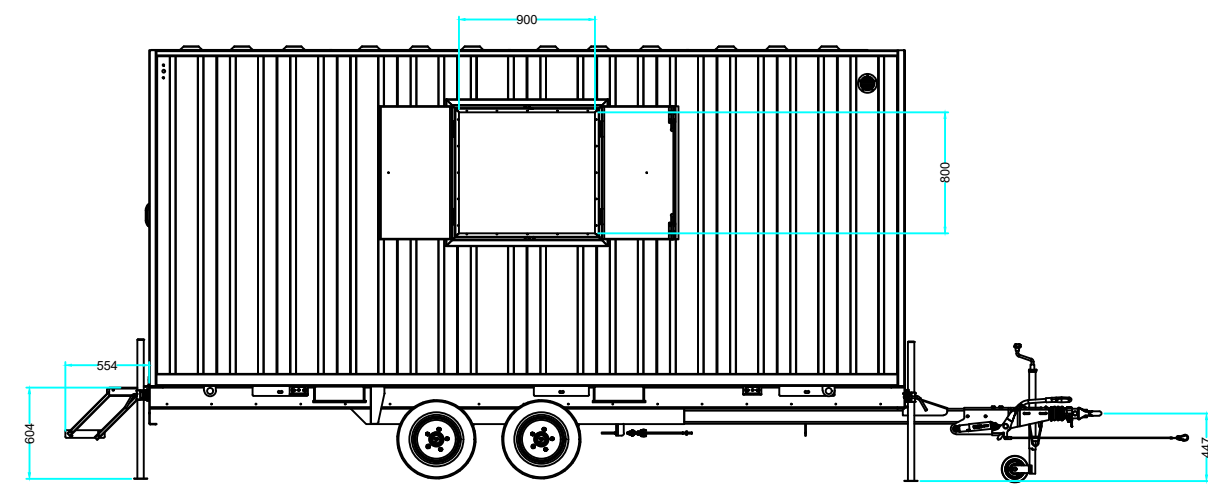
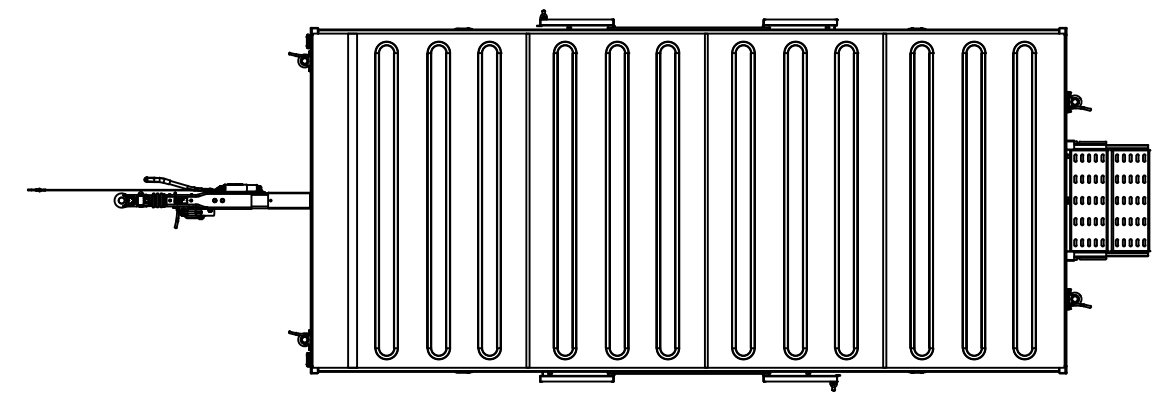
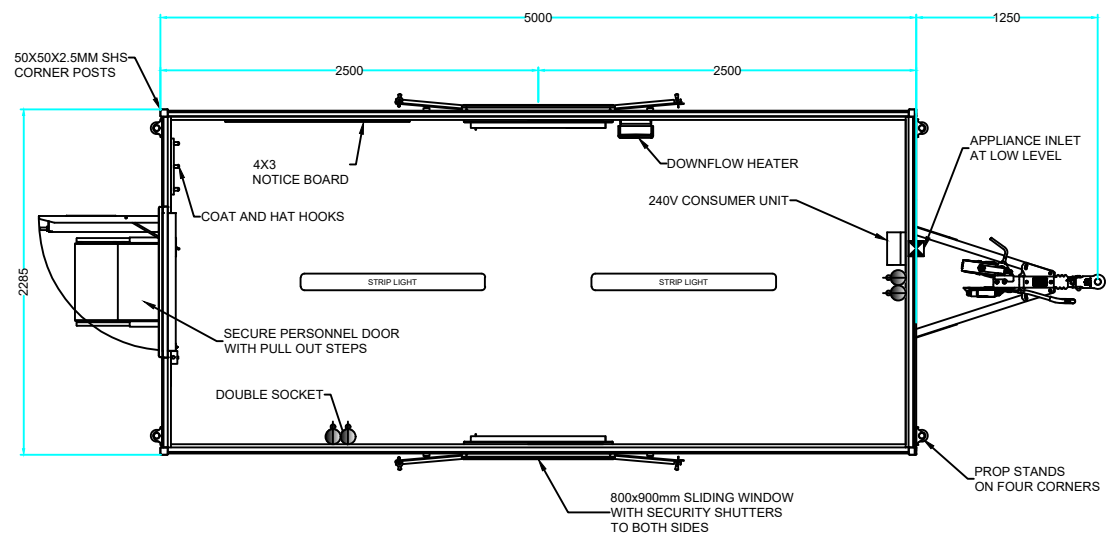



NOTES
 1. FIXED TWIN AXLE RUBBER BEAM UNIT
 2. LINED & INSULATED IN PLASTISOL PANELS
 3. EKO PLY PLASTIC FLOORING



 cabin & container hire sales conversions modular Red House Farm Business Units, Bacton, Suffolk, IP14 4LE TEL. 01449 782 123 www.portalspace.co.uk <small>Copyright in this drawing belongs to Portable Space Ltd. Neither the whole drawing nor any part thereof may be reproduced without the prior written permission of Portable Space Ltd.</small>	DESCRIPTION: 16FT X 7FT 6IN MOBILE OFFICE		QF NUMBER: QF-689	
	CONTAINER TYPE: MOBILE WELFARE UNIT		DRAWING NUMBER: 10-10689	Rev: A
DRAWN BY J.M.	DATE 13/10/2025	<small>UNLESS OTHERWISE SPECIFIED, DIMENSIONS ARE IN MILLIMETERS TOLERANCES (UNLESS OTHERWISE SPECIFIED): LINEAR = 0 +/- 2.0mm 0.0 +/- 1.5mm 0.00 +/- 0.50mm ANGULAR = 2deg</small>		WEIGHT: 1,800kg <small>(APPROX. CALCULATION)</small>
CHECKED BY I.S.	DATE 13/10/2025	SCALE: 1:50	[DO NOT SCALE DRAWING]	A3 SHEET 1 OF 1